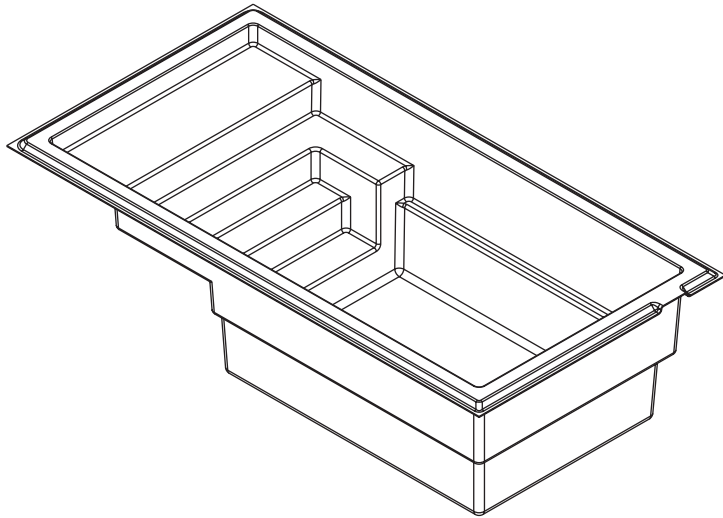


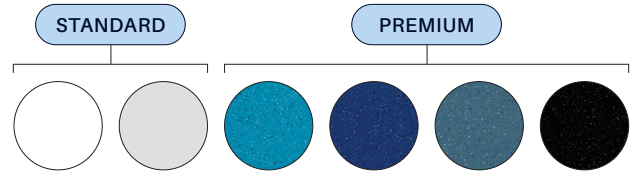
OPAL



8' x 16'



Available colors

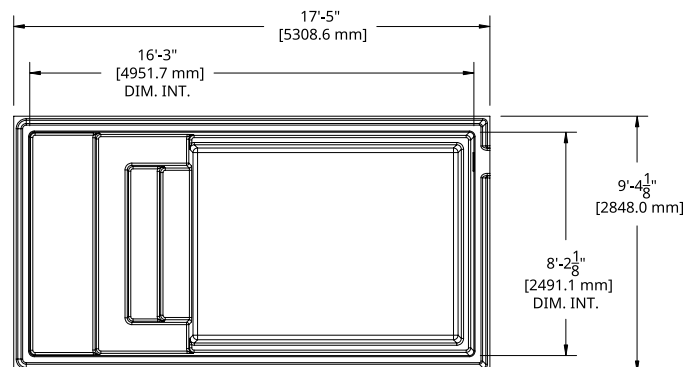
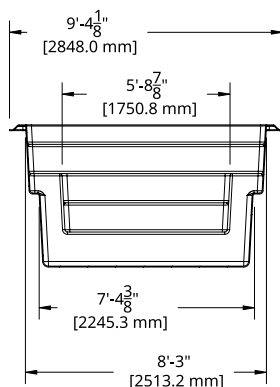
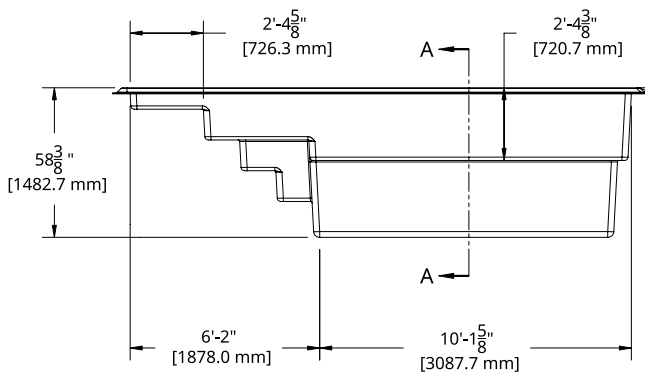


OPAL MODEL

| | |
|--------------------------|---|
| DIMENSIONS | 8' x 16' |
| DEPTH | 4' 9" |
| WEIGHT EMPTY POOL | 1 075 lbs · 487 kg |
| INTERIOR VOLUME | 401.33 ft ³ · 11.36 m ³ |
| WATER VOLUME | 11 365 L · 3 002 gal |

INCLUDED:

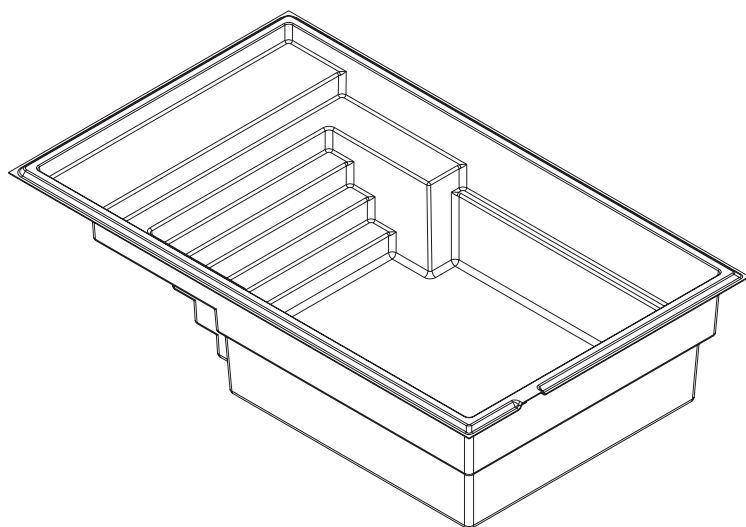
SKIMMER | RETURN | DRAIN



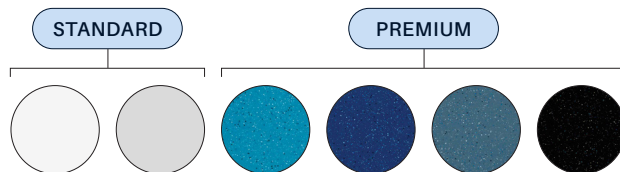
OPAL



12' x 20'



Available colors



OPAL MODEL

| | |
|--------------------------|---|
| DIMENSIONS | 12' x 20' |
| DEPTH | 4' 10" |
| WEIGHT EMPTY POOL | 1 485 lbs · 673 kg |
| INTERIOR VOLUME | 656.47 ft ³ · 18.59 m ³ |
| WATER VOLUME | 18 589 L · 4 911 gal |

INCLUDED:

SKIMMER | RETURN | DRAIN

